

HSF RoHS

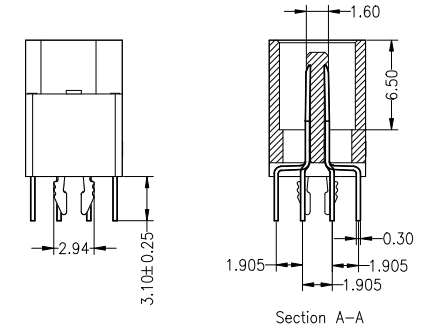
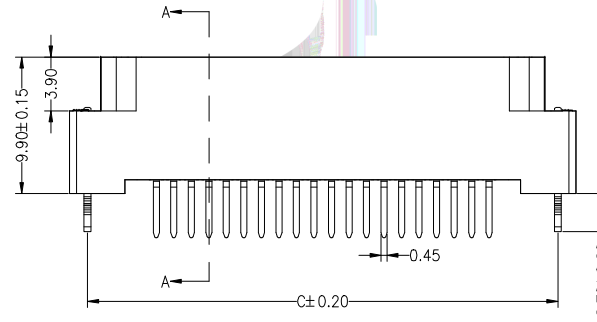
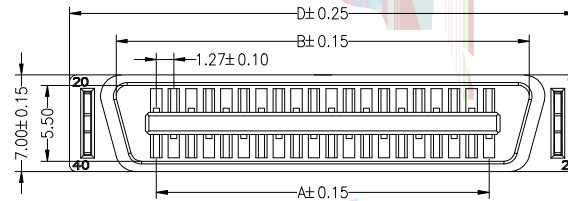
SPECIFICATIONS

Rated Current:1.0AMP
 Contact Resistance:35mΩ Max
 Withstand Voltage:500V AC/DC
 Insulation Resistance:500MΩ Min
 Operation Temperature:-40°C to +105°C

MATERIAL:

Contact Material:Phosphor bronze
 Boardlocks:Brass
 Insulator Material:LCP Polyester(UL94V-0)
 Max.Processing Temp: 260°C±5°C For 5~10 Second

Connector Solder Tails Will Accommodate Printed
 Circuit Board Thickness Of 0.80 To 1.60



Ordering Information

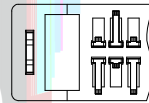
6314 M XXX S D S2 P N A XX

No.of Pins
 20,30,40,50,
 60,68,80,100,120P

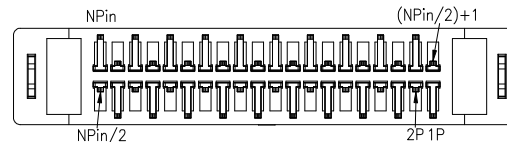
Connector Type
 S: Straight

Contact Plating
 G0:Gold Flash
 S0:Gold Flash/Tin
 S2:3U" Gold /Tin
 S3:5U" Gold /Tin
 S4:10U" Gold /Tin
 S5:15U" Gold /Tin
 S6:30U" Gold /Tin

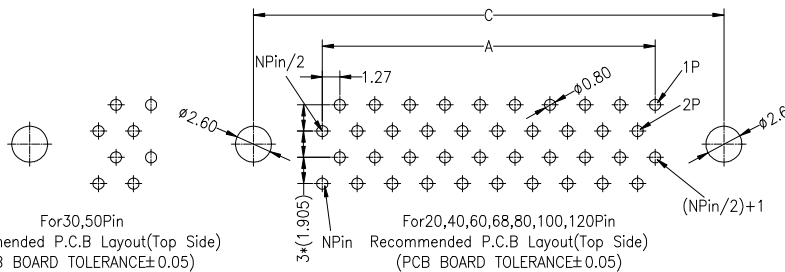
Code Stream



For 30,50Pin



For 20,40,60,68,80,100,120Pin



No Of Pins	A	B	C	D
20	11.43	17.24	21.40	24.00
30	17.78	23.59	27.75	30.35
40	24.13	29.94	34.10	36.70
50	30.48	36.29	40.45	43.05
60	36.83	42.64	46.80	49.40
68	41.91	47.72	51.88	54.48
80	49.53	55.34	59.50	62.10
100	62.23	68.04	72.20	74.80
120	74.93	80.74	84.90	87.50

OPERATION		DRAW	Jelly Feng	2023.12.09	SCALE	FIT
X.X	±0.30				UNIT	mm
X.XX	±0.20	CHECK			SIZE	A4
X.XXX	±0.10				SHEET	1/1
Angle	±3°	APPROVE			PROJ.	
DIM	TOL					

JILN® 深圳市锦凌电子有限公司
 SHENZHEN JINLING ELECTRONICS CO.,LTD
 Tel: 86-755-2997-5806/5802 Fax: 86-755-2997-5992

REV	DATE	MODIFICATION DESCRIPTION	CHANGE
A0	2023.12.09	NEW DRAWING	

PART NO.	6314MXXXSDS2PNAXX
TITLE:	M-type SCSI Male All-Plastic 180°